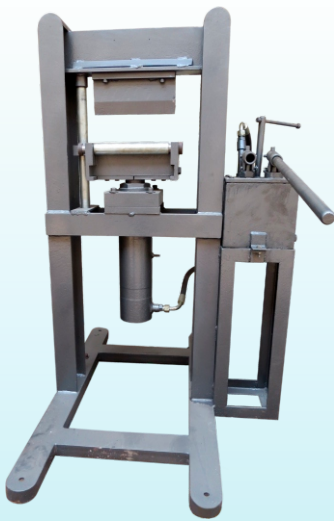




Riddhi Siddhi Industries

- ENHANCING PRODUCTIVITY



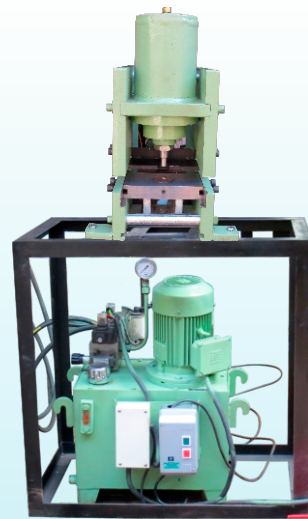
Manual Bending Machine



Motorized Bending Machine



Shearing Machine



Punching Machine

LSC 2 Bending Machine:

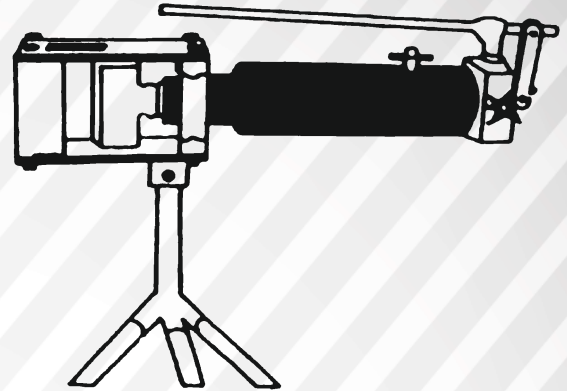


Description:

- Hand operated machine
- Easy to install and use
- Ideal for site operation.

Specification:

Size	150mm x 750mm x 750mm
Weight	60 Kg Approx
Bend upto Busbar Size	150mm x 12mm



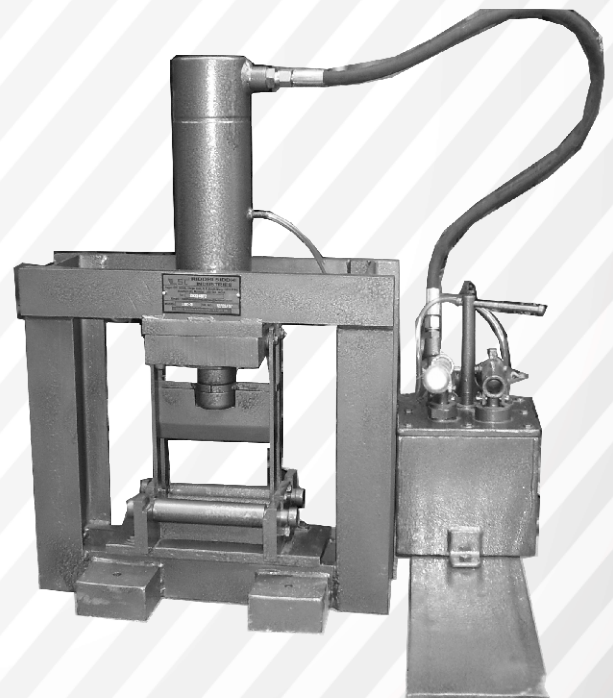
LSC 3 : Bending Machine

Description:

- Manually Hand operated machine
- Ideal for factory operation.

Specification:

Size	500mm x 750mm x 750mm
Weight	120 Kg Approx
Bend upto Busbar Size	150mm x 12mm



LSC 4 Bending Machine:

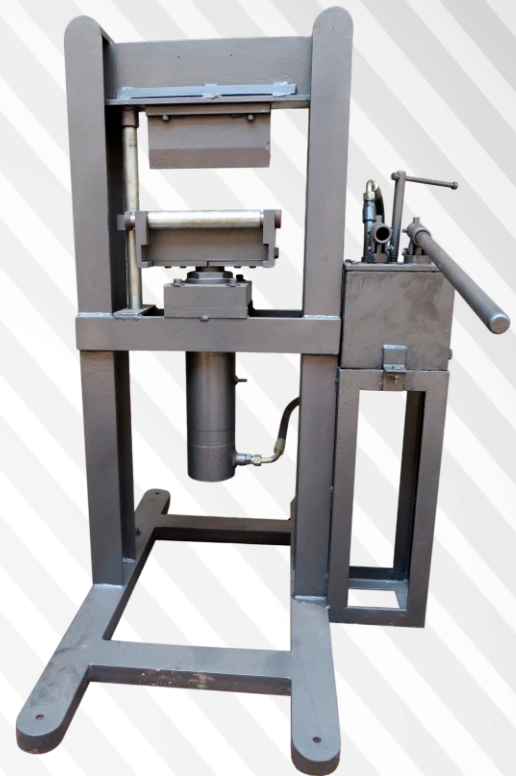


Description:

- Manually Hand operated machine
- Ideal for factory operation.

Specification:

Size	1100mm x 750mm x 1000mm
Weight	160 Kg Approx
Bend upto Busbar Size	200mm x 12mm



LSC 4M Motorised bending machine:

Description:

- Motorized operation will reduce man efforts.
- Limit switch are used for monotonous bending of desired angle.
- Foot operated & Easy to handle.

Specification:

Machine	1000mm x 500mm x 1100 mm
Pump	325mm x 550mm
Motor	2HP motor, 3 Phase 440v/ 50Hz
Weight	300 Kg Approx
Bend upto Busbar Size	200mm x 12mm



RTDDHI STDDHI TNDUSTRIES

LSC 5 Shearing Machine:



Description:

- Increases productivity by reducing shearing time to 8 seconds of any size.
- 0% wastage.

Specification:

Size	525mm x 900mm x 1000mm
Pump	325mm x 550mm
Motor	3HP motor, 3 Phase 440v/ 50Hz
Weight	450 Kg Approx
Busbar Thickness	200mm x 12mm



LSC 6 : Punching Machine

Description:

- Increases productivity by reducing punching time to 10 seconds of any size.
- 100% wastage recovered
- Claim your machine free from recovered wastage.

Specification:

Machine	525mm x 900mm x 1000mm
Pump	325mm x 550mm
Motor	3HP motor, 3 Phase 440v/ 50Hz
Weight	450 Kg Approx
Busbar Thickness	200mm x 12mm
Circular Punch	8mm, 10mm, 12mm, 14mm
Oblong Punch	14mm x 18mm



RIDDHI SIDDHI INDUSTRIES

302/A Diya Jyot, R. K. Singh Marg, Off. Parsi Panchayat Road, Andheri (E), Mumbai – 400 069 (India).
Tel / Fax : 022 26834872, Mobile : 98207 45854 • Res.: 2822 4872
Email : riddhisiddhiindustries@hotmail.com